



LuxSpace Accent, elbow

ST526B 1xSLED2000/840 PSU-E 25 GC II WH

ST526B - SLED 2000 lm - Power supply unit external -
Beam angle 25° - Clear glass

With rising energy prices and growing awareness of environmental impact, customers are searching for more energy-efficient alternatives to light spaces and to save on operating costs – without sacrificing light quality, or having to reconfigure their ceilings. LuxSpace Accent features the latest LED technology, resulting in low power consumption comparable to CDM solutions, and delivers consistent light output, stable colour performance and high colour rendering. It is available in three versions – fixed, adjustable, elbow – for 150 mm cut-outs. All offer a compact look and feel, and a perfect fit. They are very easy to install, and their long lifetime means an end to the hassle of relamping. In addition to the LuxSpace Accent for accent lighting applications, LuxSpace luminaires are also available for high-flux general lighting applications.

Product data

• General information

Product family code	ST526B [ST526B]
Number of light sources	1 [1 pc]
Lamp family code	SLED2000 [SLED 2000 lm]
Lamp colour code	840 [840 cool white]
Light source replaceable	No [No]
Driver/power unit/transformer	PSU-E [Power supply unit external]
Driver included	Yes [Yes]
Optic type	25 [Beam angle 25°]
Optical cover/lens type	GC [Clear glass]
Embedded control	No [-]
Dimmable	No [No]
Protection class IEC	CLII [Safety class II]
IP code	IP20 [Finger-protected]
IK code	IK02 [0.2 J standard]
Colour	WH [White]
Glow-wire test	650/5 [Temperature 650 °C, duration 5 s]
Flammability mark	F [For mounting on normally flammable surfaces]
European Community mark	CE [CE mark]
ENEC mark	ENEC [ENEC mark]
Lifetime to 70% luminous flux	50000 hr

• Electrical

Input voltage	220-240 V [220 to 240 V]
Input frequency	50-60 Hz [50 to 60 Hz]

• Mechanical

Housing material	ALU [Aluminium]
Reflector material	PC [Polycarbonate]
Optic material	PC [Polycarbonate]
Optical cover/lens material	PMMA [Polymethyl methacrylate]

• Initial perform. (IEC compliant)

Initial input power	42 W [42 W]
Initial luminous flux	2344 Lm
Initial LED luminaire efficacy	56 Lm/W
Lamp colour temperature	4000 [4000 K]
Colour Rendering Index	80 [80]

• Over time perform. (IEC compliant)

Driver failure rate at 5000 h	1 %
-------------------------------	-----

• Application conditions

Average ambient temperature	T25 [+25 °C]
Ambient temperature range	0 to +45°C [0 to +45 °C]
Maximum dim level	- [Not applicable]

• Product Data

Order code	102427 00
Full product code	871829110242700

PHILIPS

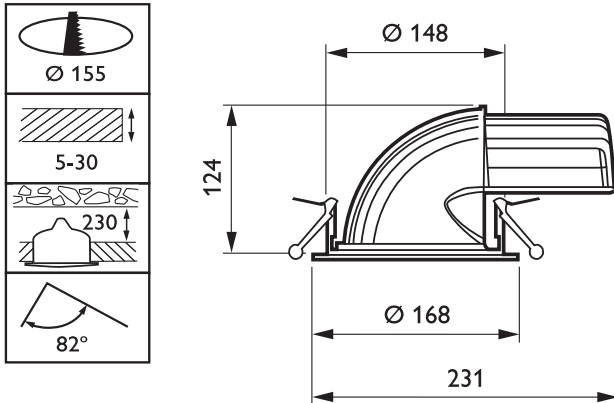
LuxSpace Accent, elbow

Full product name ST526B 1xSLED2000/840 PSU-E 25
GC II WH
Order product name ST526B 1xSLED2000/840 PSU-E 25
GC II WH
Pieces per pack 0
Packs per outerbox 1
Bar code on
outerbox - EAN3 8718291102427

Logistic code(s) - 910500452896
12NC
Net weight per piece 1.325 kg



Dimensional drawing



ST526B 1xSLED2000/840 PSU-E 25 GC II WH



© 2013 Koninklijke Philips N.V. (Royal Philips)
All rights reserved.

Specifications are subject to change without notice. Trademarks are the property of Koninklijke Philips N.V. (Royal Philips) or their respective owners.

www.philips.com/lighting

2013, December 12
data subject to change