



CoreView panel

RC160V LED34S/840 PSU W60L60 CLI

RC160V - LED Module, system flux 3400 lm - Power supply unit

People appreciate indoor spaces that are easy on the eye and at the same time refreshing to the mind. This is especially relevant for spaces where you want to ensure a relaxing yet energizing atmosphere, e.g. in working environments, retail and healthcare. CoreView panel is a LED-based luminaire with an innovative, slim shape that delivers a uniform surface of light – a truly attractive proposition. Suitable for recessed (lay-in only) and suspended mounting, the range offers a choice of sizes, color temperatures and DALI dimming. In addition, it comes with all the benefits of LED technology: it is, for example, long-lasting and energy-efficient. In short, CoreView panel represents an excellent deal for those looking for pleasant and efficient lighting.

Product data

• General information

Product family code	RC160V [RC160V]
Lamp family code	LED34S [LED Module, system flux 3400 lm]
Beam angle of light source	120 D [120°]
Light source color	840 [840 cool white]
Correlated color temperature	4000 [4000 K]
Light source replaceable	false [No]
Driver/power unit/transformer	PSU [Power supply unit]
Driver included	true [Yes]
Optical cover/lens type	O [Opal]
Dimmable	No [No]
Protection class IEC	CLI [Safety class I]
IP code	IP20 [Finger-protected]
Ambient operating temperature	+10 to +40°C [+10 to +40 °C]
Glow-wire test	650/5 [Temperature 650 °C, duration 5 s]
Flammability mark European	No [-]
Community mark	CE [CE mark]
ENEC mark	No [-]
Lifetime to 70% luminous flux	30000 hr

• Light technical

Color rendering index	>80 [>80]
Luminous flux	3400 Lm

Luminaire efficacy 76 Lm/W

• Electrical

Power consumption	45 W [45 W]
Input voltage	220-240 V [220 to 240 V]
Input frequency	50-60 Hz [50 to 60 Hz]

• Mechanical

Geometry	W60L60 [Width 0.60 m, length 0.60 m]
Housing material	STL [Steel]
Optic material	PMMA [Polymethyl methacrylate]

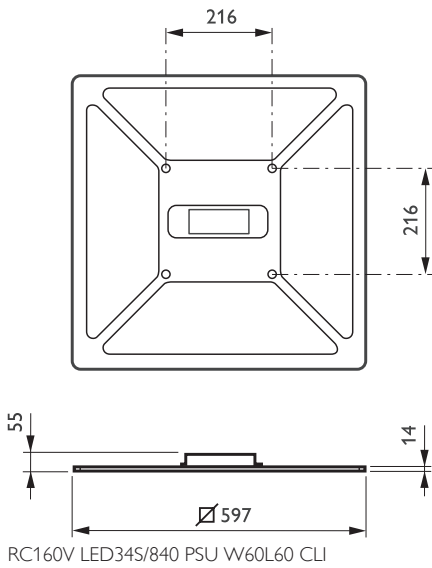
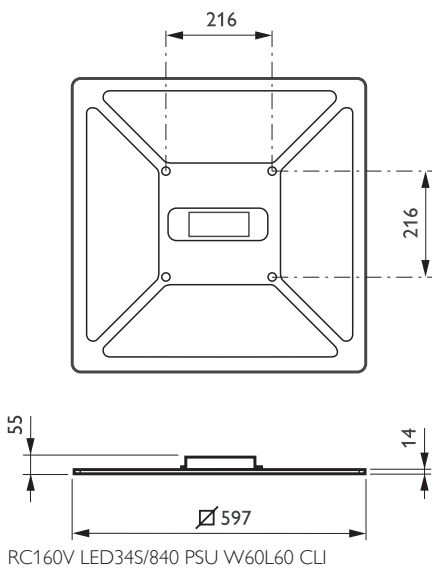
• Product Data

Order code	910503698418
Full product code	910503698418
Full product name	RC160V LED34S/840 PSU W60L60 CLI
Order product name	RC160V LED34S/840 PSU W60L60 CLI
Pieces per pack	0
Packs per outerbox	1
Bar code on outerbox - EAN3	8717943898206
Logistic code(s) - 12NC	910503698418
Net weight per piece	5.340 kg



PHILIPS

Dimensional drawing



© 2013 Koninklijke Philips N.V. (Royal Philips)
All rights reserved.

Specifications are subject to change without notice. Trademarks are the property of Koninklijke Philips N.V. (Royal Philips) or their respective owners.

www.philips.com/lighting

2013, September 3
data subject to change