

Philips LuxSpace Accent

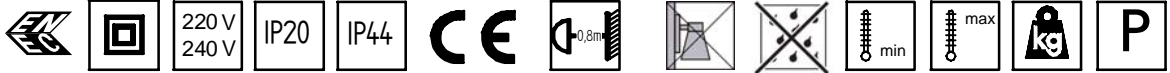
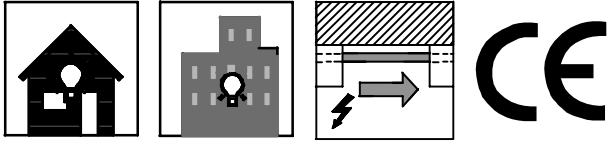
Installation instructions

Instructions de montage
Montageanleitung
Montage instructie
Istruzioni di montaggio

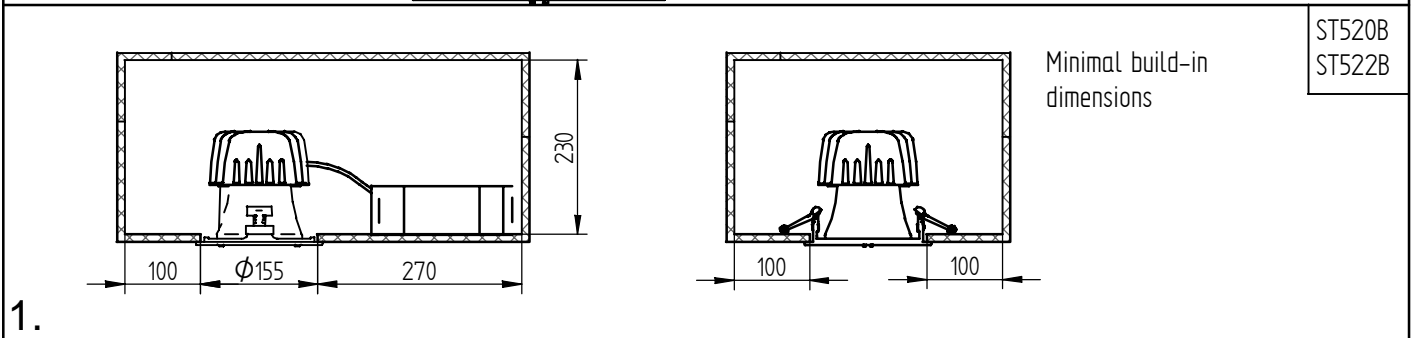
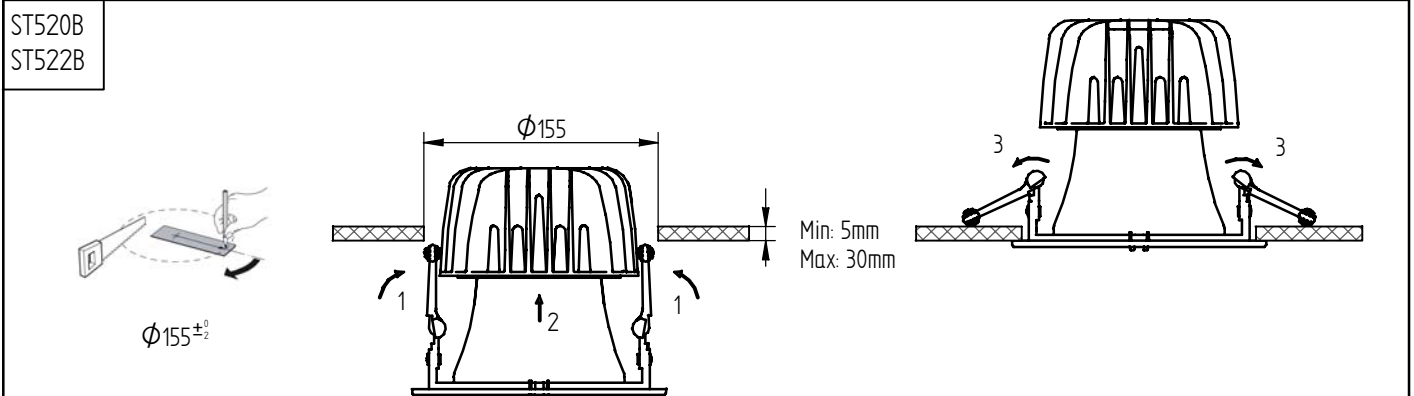
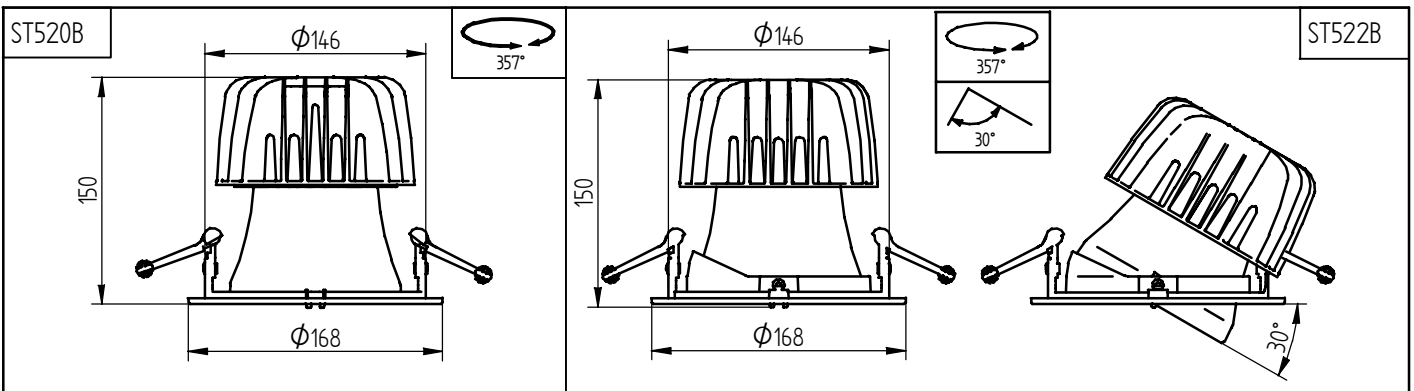
Instrucciones de montaje
Instruções de montagem
Monteringsinstruktioner
Monteringsvejledning

Kokoonpano- ja kiinnitysohjeet
Montaj yönergesi
Οδηγίες συναρμολόγησης
Instrukcja montażu

Szerelési utasítások
Návod k montáži
bycnerwbz gj vjynf:e
Návod k montáži



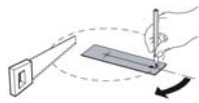
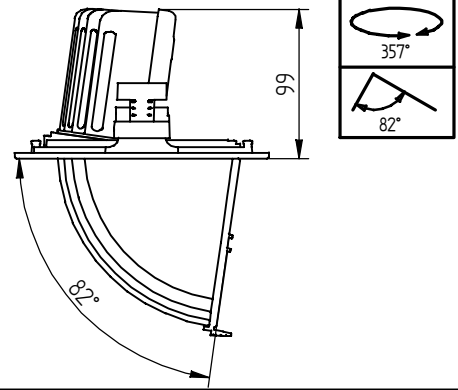
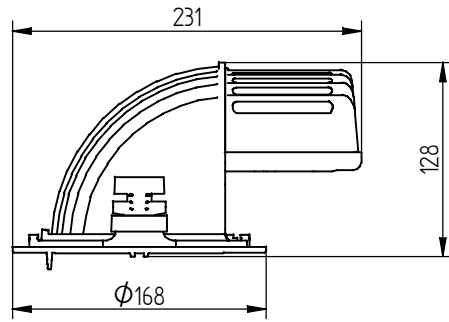
| | • | • | • | • | • | • | • | • | • | • | • | • | |
|-----------------|---|---|---|---|---|---|---|---|---|-----|------|--------|---------|
| ST520B SLED2000 | • | • | • | • | • | • | • | • | • | 0°C | 45°C | 1,4 kg | max45 W |
| ST520B SLED3200 | • | • | • | • | • | • | • | • | • | 0°C | 45°C | 1,4 kg | max65 W |
| ST522B SLED2000 | • | • | • | • | • | • | • | • | • | 0°C | 45°C | 1,5 kg | max45 W |
| ST522B SLED3200 | • | • | • | • | • | • | • | • | • | 0°C | 45°C | 1,5 kg | max65 W |
| ST526B SLED2000 | • | • | • | • | • | • | • | • | • | 0°C | 45°C | 1,4 kg | max45 W |
| ST526B SLED3200 | • | • | • | • | • | • | • | • | • | 0°C | 45°C | 1,4 kg | max65 W |



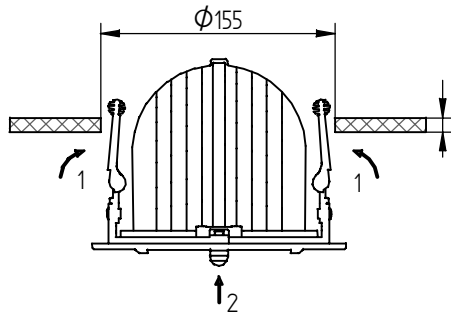
4443 160 02151
Version date : 24/08/11
Data Subject to change without notice
Printed in EU
www.philips.com/lighting

PHILIPS

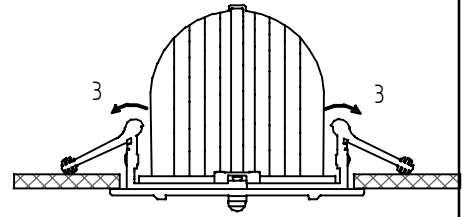
ST526B



$\phi 155 \pm 0.2$

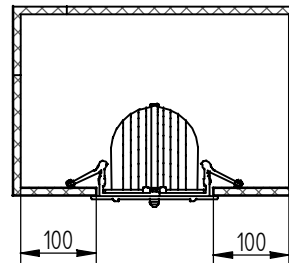
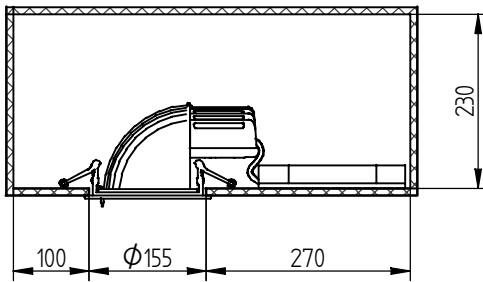


Min: 5mm
Max: 30mm

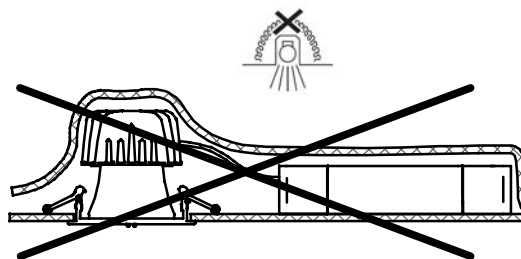


Minimal build-in
dimensions

ST520B
ST522B



ST520B
ST522B
ST526B



2.

4443 160 02151

Version date : 24/08/11

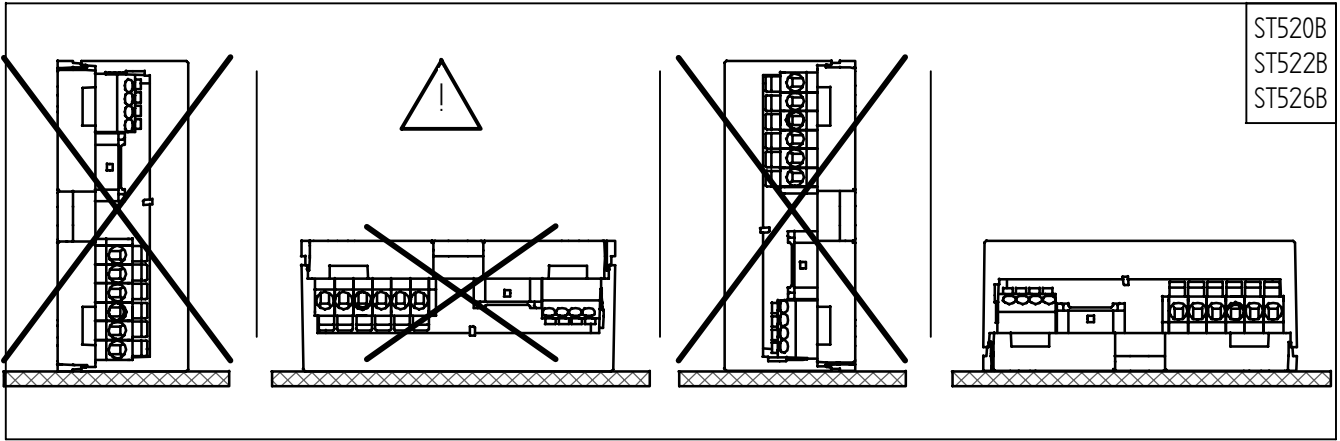
Data Subject to change without notice

Printed in EU

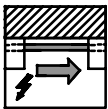
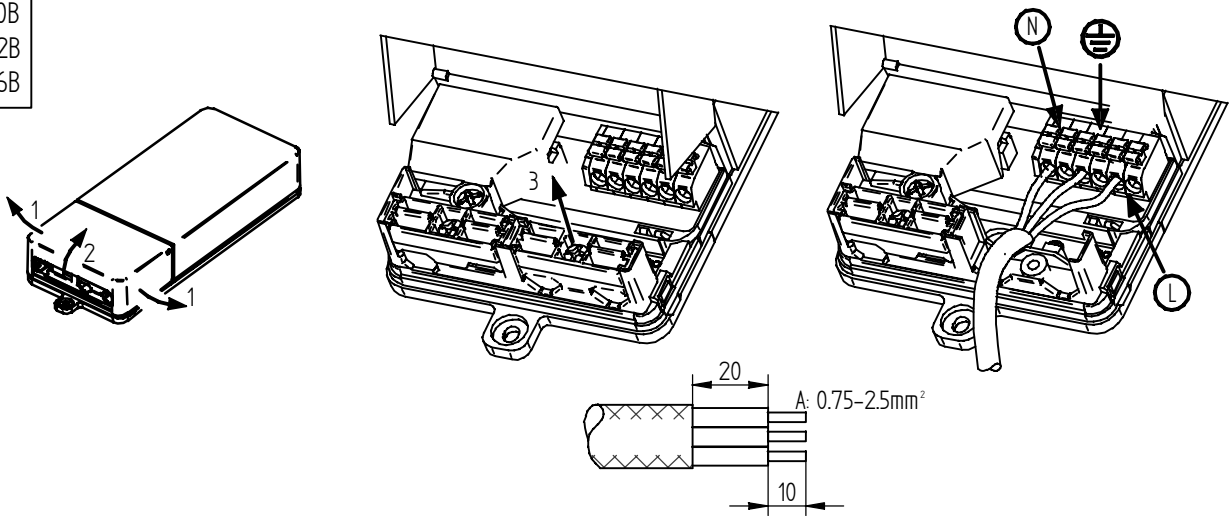
www.philips.com/lighting

PHILIPS

ST520B
ST522B
ST526B

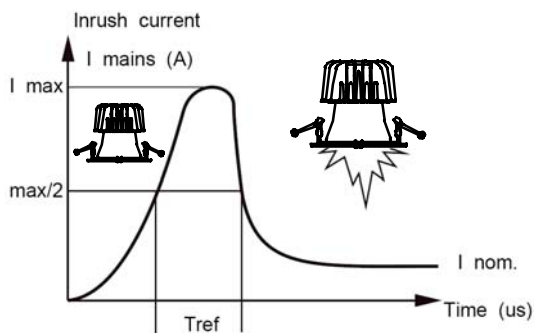


ST520B
ST522B
ST526B



ST520B
ST522B
ST526B

| | |
|------------------|------|
| $I_{nom}(A)$ | 0.32 |
| $I_{max}(A)$ | 48 |
| $T_{ref}(\mu s)$ | 180 |



| MCB | Max Products* |
|-------|---------------|
| B-10A | 7 |
| B-16A | 12 |
| C-10A | 13 |
| C-16A | 22 |

*According to: IEC60555 test conditions

3.

4443 160 02151

Version date : 24/08/11

Data Subject to change without notice

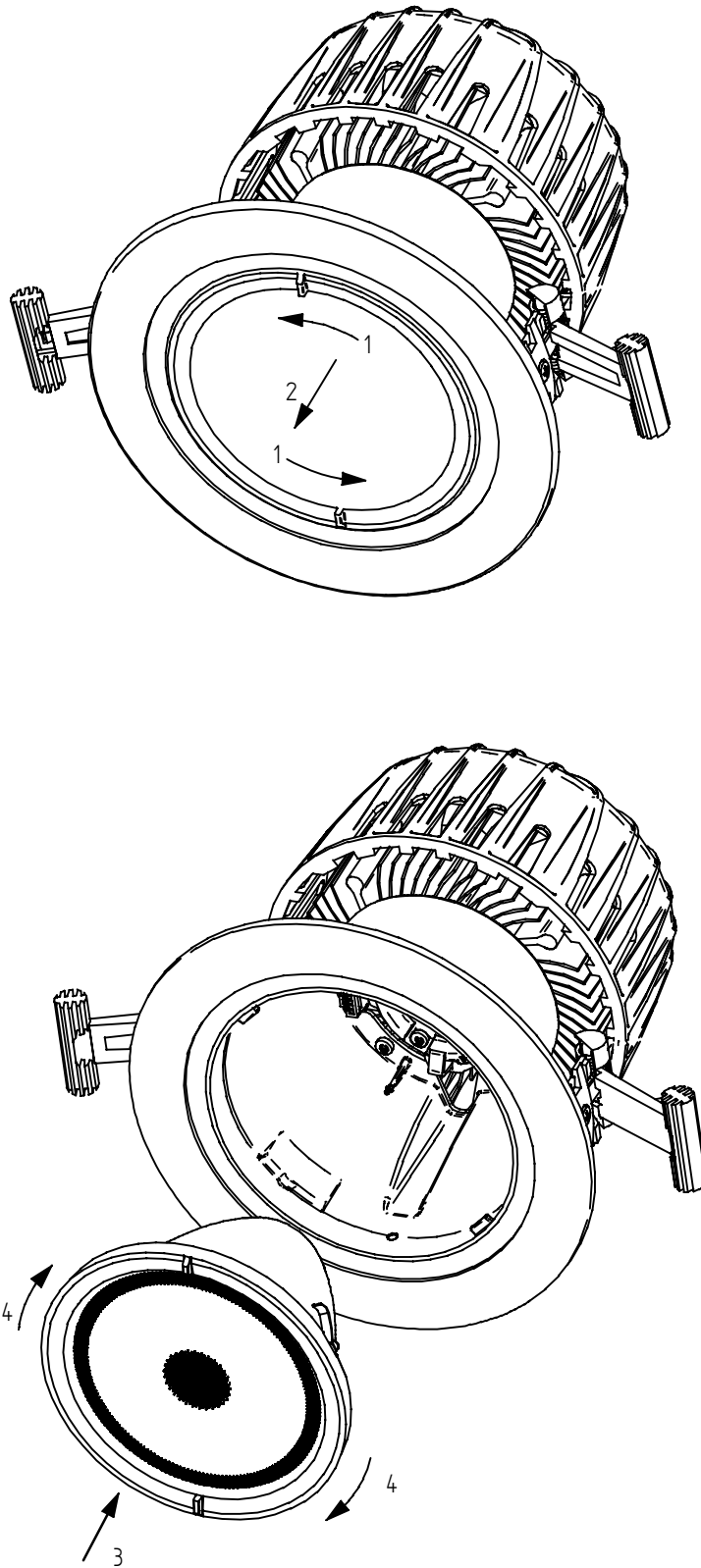
Printed in EU

www.philips.com/lighting

PHILIPS

ST520B
ST522B
ST526B

Anti glare accessory changing instructions



4.

4443 160 02151

Version date : 24/08/11

Data Subject to change without notice

Printed in EU

www.philips.com/lighting

PHILIPS